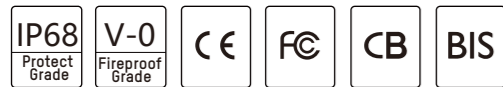


# LUL-DGC-20

## Φ20 LED Point Light Source

Specification	
LED Color	R/G/B/W/BG/RGB/RGBW
Beam Angle	120°
Center Distance	Min 120mm(customized)
Outer Shell Material	Transparent Modified PVC
Light Connection	60pcs/bunch
Size	Φ22mm×14.5mm
Environment	Outdoor
Electrical	
Voltage	DC5V/DC12V
Power	0.24W/0.3W/0.6W/0.72W/0.4W
System	
Control	Normally on/Serial shift/DMX512
Power Supply	DC12V/350W、DC5V/350W



This LED product is small in size, it's appearance is fine and it is transparent and very thin. It can be used both indoor and outdoor, even under 20m water. With the application of double protection encapsulation technology, it is fireproof. It is used to lightening the contour of buildings, or as the built-in light source for outdoor lights, or used to make high accuracy indoor LED screen. It can be controlled by computer to show real time images, texts, videos etc.

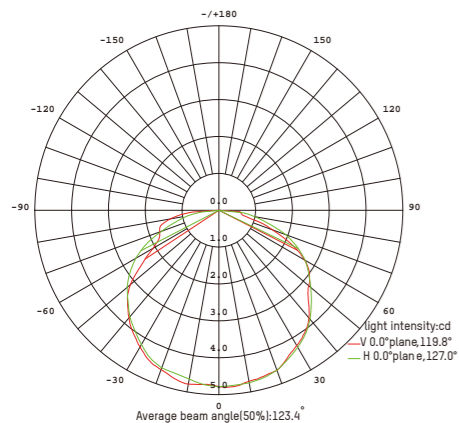
### Product Specifications and Parameters

Control Method	Voltage	Power	Standard Configuration
Serial shift Digital	12V	0.24W	3pcs per series
Serial shift DigitalRGB	5V	0.3W	1pcs per series
Serial shift DigitalRGB	5V	0.6W	2pcs per series
Serial shift DigitalRGB	12V	0.72W	3pcs per series
Serial shift DigitalRGBW	5V	0.4W	2pcs per series
Normally on	12V	0.24W	3pcs per series

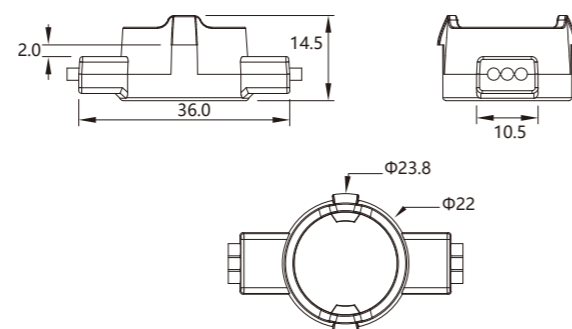
### Accessories



### Luminosity Distribution



### Product Size(mm)



# LUL-DGC-30

## Φ30 LED Point Light Source



LUL-DGC-30 is of ultra thin and transparent housing design. With national patented technology, LUL-DGC-30 reaches the highest protect grade IP68 and highest fire retardant grade V-0. It can be used outdoor, underground, underwater. LUL-DGC-30 is widely applied to lighting project for building, signage, bridge etc.

Specification	
LED Color	R/G/B/W/BG/RGB/RGBW
Beam Angle	110°
Center Distance	Min 130mm(customized)
Outer Shell Material	Transparent Modified PVC
Light Connection	30pcs/bunch
Size	Φ30.5mm×13 mm
Environment	Outdoor
Electrical	
Voltage	DC12V
Power	0.24W/0.48W/0.72W/0.96W
System	
Control	Normally on/Serial shift/DMX512
Power Supply	350W/DC12V

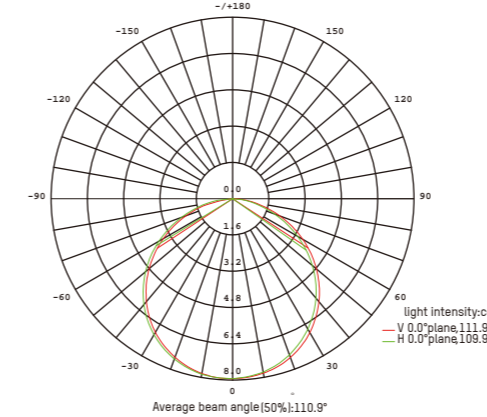
### Product Specifications and Parameters

Control Method	Voltage	Power	Standard Configuration
DMX512 DigiVtal Single Color	12V	0.48W	6pcs per series
DMX512 DigiVtal Doule Color	12V	0.48W	6pcs per series
DMX512 DigiVtal RGB	12V	0.72W	3pcs per series
DMX512 DigiVtal RGBW	12V	0.96W	6pcs per series
Normally on	12V	0.24W	3pcs per series
Serial shift DigitalRGB	12V	0.72W	3pcs per series

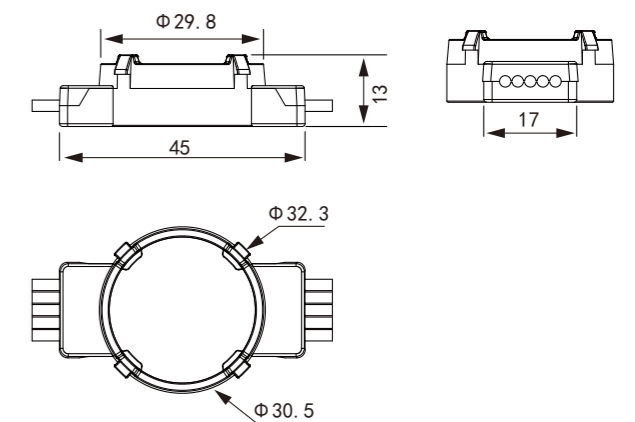
### Accessories



### Luminosity Distribution



### Product Size(mm)



# LUL-DGC-40

## Φ40 LED Point Light Source



Specification	
LED Color	R/G/B/W/BG/RGB/RGBW
Beam Angle	110°
Center Distance	Min 140mm(customized)
Outer Shell Material	Transparent Modified PVC
Light Connection	40pcs/bunch
Size	Φ40.5mm×13.6mm
Environment	Outdoor
Electrical	
Voltage	DC12V
Power	0.48W/0.72W/0.96W
System	
Control	Normally on/Serial shift/DMX512
Power Supply	DC12V/350W



LUL-DGC-40 is of ultra thin and transparent housing design. With national patented technology, LUL-DGC-40 reaches the highest protect grade IP68 and highest fire retardant grade V-0. It can be used outdoor, underground, underwater. LUL-DGC-40 is widely applied to lighting project for building, signage, bridge etc.

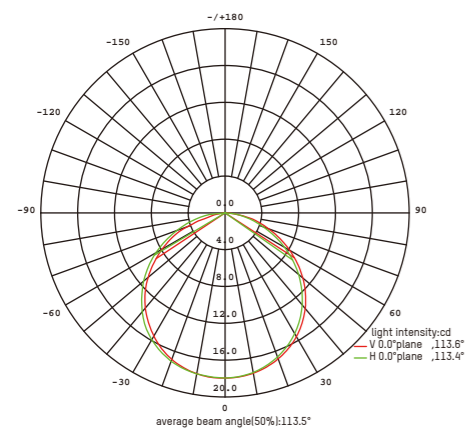
### Product Specifications and Parameters

Control Method	Voltage	Power	Standard Configuration
DMX512 DigiVtal Single Color	12V	0.48W	6pcs per series
DMX512 DigiVtal Double Color	12V	0.48W	6pcs per series
DMX512 DigiVtal RGB	12V	0.72W	3pcs per series
DMX512 DigiVtal RGBW	12V	0.96W	6pcs per series
Normally on	12V	0.48W	6pcs per series
Serial shift DigitalRGB	12V	0.72W	3pcs per series

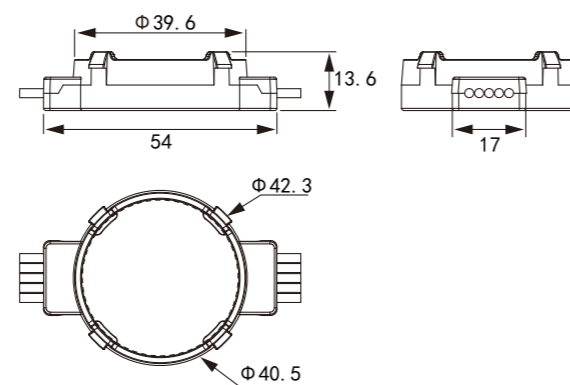
### Accessories



### Luminosity Distribution



### Product Size(mm)



# LUL-DGC-50

## Φ50 LED Point Light Source



Specification	
LED Color	R/G/B/W/BG/RGB/RGBW
Beam Angle	110°
Center Distance	Min 150mm(customized)
Outer Shell Material	Transparent Modified PVC
Light Connection	40pcs/bunch
Size	Φ47.3mm×13.6mm
Environment	Outdoor
Electrical	
Voltage	DC24V
Power	0.96W/1.44W/1.92W
System	
Control	Normally on/Serial shift/DMX512
Power Supply	DC24V/350W



This point light source has a larger size & higher brightness, high cost-effective. It mainly applied to landscape of large building, underground lighting of park, outline drawing lighting of large bridge; it also could use to making of large advertising display and indoor decoration.

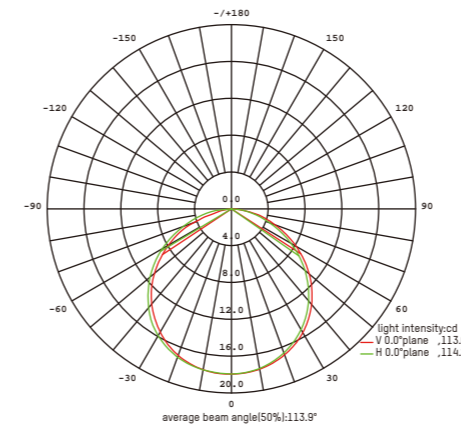
### Product Specifications and Parameters

Control Method	Voltage	Power	Standard Configuration
DMX512 DigiVtal Single Color	24V	0.96W	12pcs per series
DMX512 DigiVtal Double Color	24V	0.96W	12pcs per series
DMX512 DigiVtal RGB	24V	1.44W	6pcs per series
DMX512 DigiVtal RGBW	24V	1.92W	12pcs per series
Normally on	24V	0.96W	12pcs per series
Serial shift DigitalRGB	24V	1.44W	6pcs per series

### Accessories



### Luminosity Distribution



### Product Size(mm)

