

MK-36X42

Φ36X42 High Power Waterproof Module Light Source

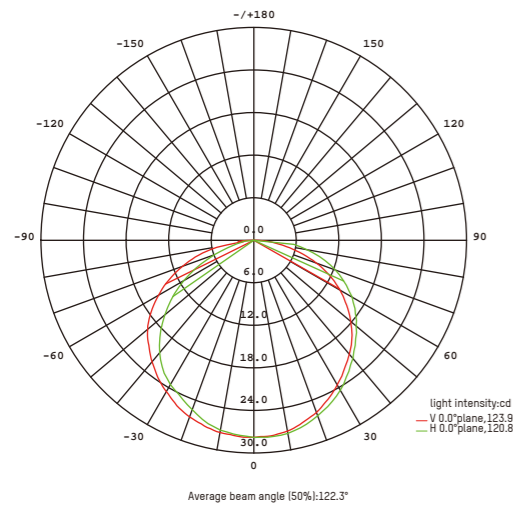


Specification	
LED Color	R/G/B/W/BG/RGB/RGBW
Beam Angle	100°
Color Temperature	3000K
Outer Shell Material	Transparent Modified PVC
Size	48mm×38mm×13.7mm
Environment	Outdoor
Electrical	
Voltage	DC12V
Power	4W
System	
Control	DMX512
Power Supply	DC12V/350W



This specification is a stable, monochromatic LED high-power waterproof module light source. The product adopts modified RPVC material to integrally package LED particles, internal circuits and heat dissipating components, and has the characteristics of good heat dissipation performance, high luminous efficiency, high flame retardancy of materials, and waterproof performance up to IP68. The light source can be directly installed and used, and it can be easily installed and used with other lamp housings to realize the transformation of the original lamps.

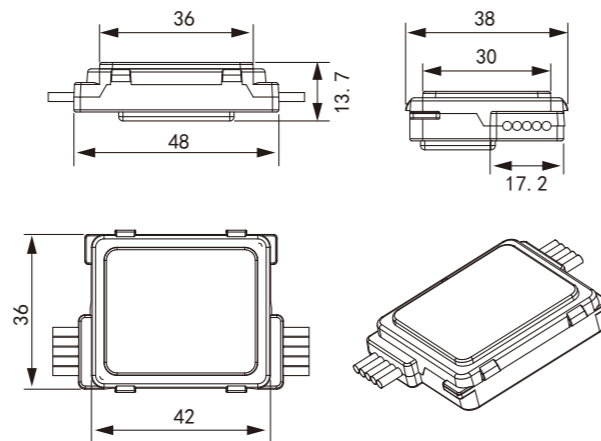
Luminosity Distribution



Product Specifications and Parameters

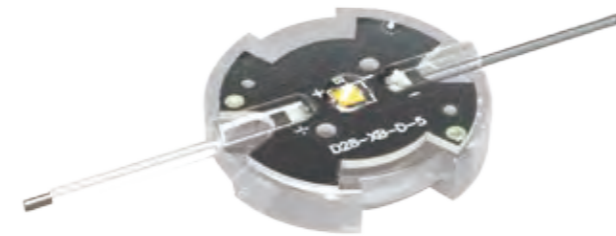
Control Method	Voltage	Power	Standard Configuration
DMX512 Digital RGBW	12V	4W	10pcs per series

Product Size(mm)



MK-30B

Φ30B High Power Waterproof Module Light Source

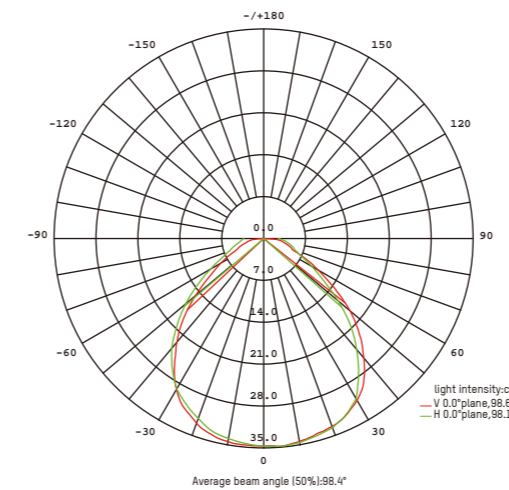


Specification	
LED Color	R/G/B/W/BG/RGB/RGBW
Beam Angle	100°
Color Temperature	3000K
Outer Shell Material	Aluminum alloy
Size	Φ28mm×5.1mm
Environment	Outdoor
Electrical	
Voltage	350MA
Power	1W
System	
Control	Normally on
Power Supply	DC12V/350W



This specification is a stable, monochromatic LED high-power waterproof module light source. The product adopts modified RPVC material to integrally package LED particles, internal circuits and heat dissipating components, and has the characteristics of good heat dissipation performance, high luminous efficiency, high flame retardancy of materials, and waterproof performance up to IP68. The light source can be directly installed and used, and it can be easily installed and used with other lamp housings to realize the transformation of the original lamps.

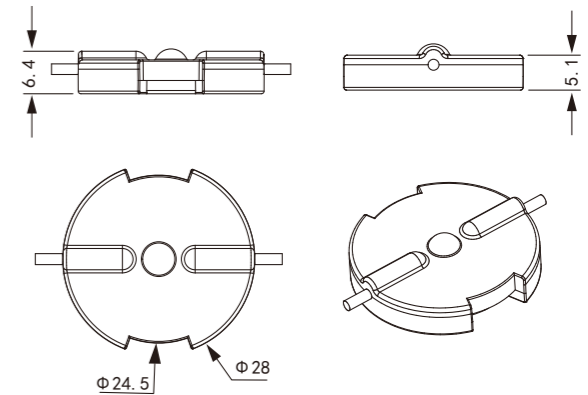
Luminosity Distribution



Product Specifications and Parameters

Control Method	Voltage	Power	Standard Configuration
Normally on	350MA	1W	9pcs per series

Product Size(mm)



Other Products

