

# BT-18

## BT-18 LED Wall Washer



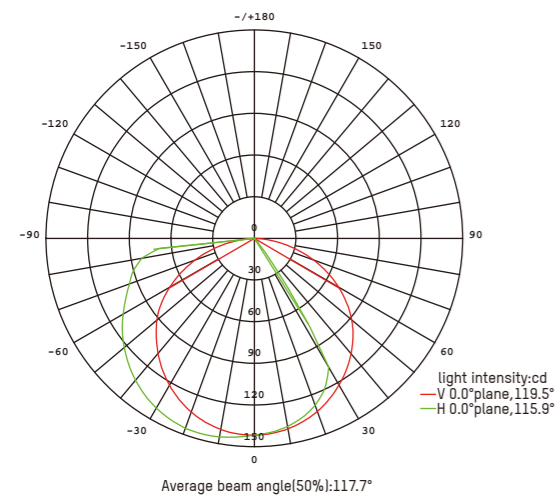
Specification	
LED Color	R/G/B/W/BG/RGB/RGBW
Beam Angle	120°
Color Temperature	3×16bit
Outer Shell Material	Aluminum alloy
Size	1000mm×22.4mm×58.8mm
Environment	Outdoor
Electrical	
Voltage	DC12V/DC24V
Power	7.68W/8.64W/11.52W/15.36W
System	
Control	Normally on/Serial shift
Power Supply	DC12V/350W、DC24V/350W



This ultra narrow & thin and delicate appearance wall washer can hardly impact daytime effect of the building after installation. It is a good option of concealed wall washer.

Built-in XT-18 Double Protection linear light source, the light reaches Protect Grade IP68; can directly work underwater, underground, and outdoor.

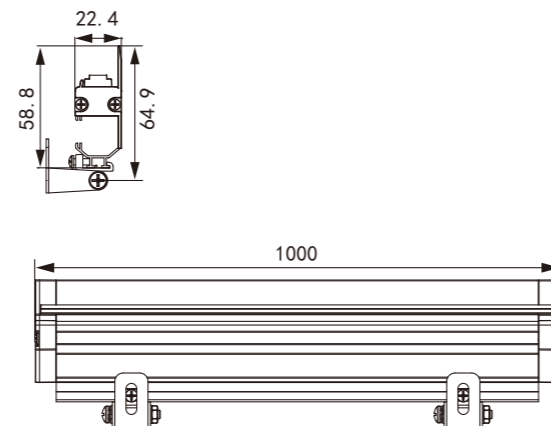
### Luminosity Distribution



### Product Specifications and Parameters

Control Method	Voltage	Power	Standard Configuration
Serial shift Digital	24V	7.68W	4pcs per series
Serial shift DigitalRGB	12V	8.64W	12pcs per series
Serial shift DigitalRGB	12V	8.64W	4pcs per series
Serial shift DigitalRGB	24V	11.52W	8pcs per series
Serial shift DigitalRGBW	24V	15.36W	8pcs per series
Normally on	24V	7.68W	

### Product Size(mm)



# BT-20

## BT-20 LED Wall Washer



Specification	
LED Color	R/G/B/W/BG/RGB/RGBW
Beam Angle	79°X20°
Color Temperature	3×16bit
Outer Shell Material	Aluminum alloy
Size	1003mmX30mmX21.1mm
Environment	Outdoor
Electrical	
Voltage	DC24V
Power	10W
System	
Control	DMX512
Power Supply	DC24V/350W

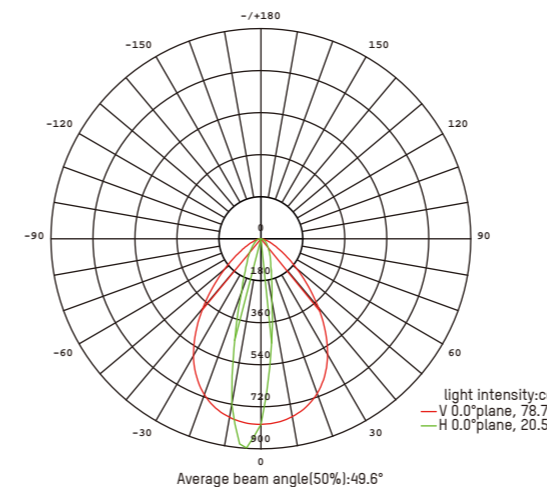


This LED wall washer uses a structure that adopts a combination of a line light source and a lens. The style is novel, the shape is small and exquisite, and the color of the shell can be customized according to user preferences, and is a cost-effective lamp. It can be widely applied to lighting project for swimming pool, stairs, bridge guardrail, building etc.

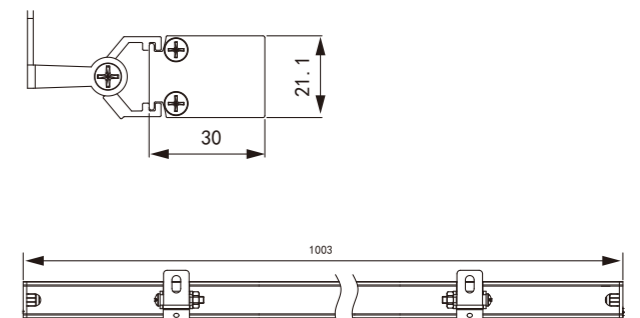
### Product Specifications and Parameters

Control Method	Voltage	Power	Standard Configuration
Normally on	24V	10W	

### Luminosity Distribution



### Product Size(mm)



# BTG-25

## BTG-25 LED Wall Washer

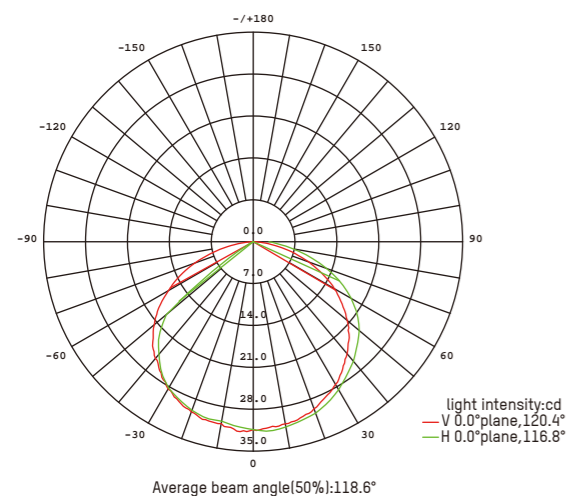


Specification	
LED Color	R/G/B/W/BG/RGB/RGBW
Beam Angle	120°
Color Temperature	3×16bit
Outer Shell Material	Aluminum alloy
Size	998mm×37mm×70mm
Environment	Outdoor
Electrical	
Voltage	DC24V
Power	7.68W、11.25W、15.36W
System	
Control	DMX512 /Normally on
Power Supply	DC24V/350W



This LED wall washer uses two rows of LED lights structure design, and the outer shell uses barrier structure to anti dazzle and it enables the wall washer has very good lighting effect. The brightness of wall washer is even; the lighting height is significantly improved. It mainly applied to the outdoor landscape lighting, high rise building lighting, bridge guardrail lighting.

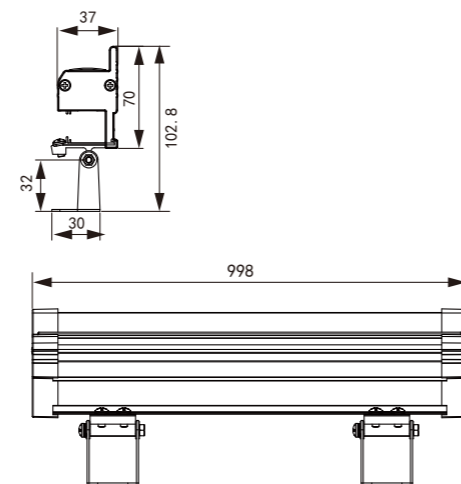
### Luminosity Distribution



### Product Specifications and Parameters

Control Method	Voltage	Power	Standard Configuration
DMX512 DigiVtal Single Color	24V	7.68W	6pcs per series
DMX512 DigiVtal Doule Color	24V	7.68W	6pcs per series
DMX512 DigiVtal RGB	24V	11.25W	3pcs per series
DMX512 DigiVtal RGBW	24V	15.36W	6pcs per series
Normally on	24V	7.68W	3pcs per series

### Product Size(mm)



# BT-40

## BT40 LED Hight Power Wall Washer



Specification	
LED Color	R/G/B/W/BG/RGB/RGBW
Beam Angle	130°
Color Temperature	3×16bit
Outer Shell Material	Aluminum alloy
Size	998mm×45mm×52.1mm
Environment	Outdoor
Electrical	
Voltage	DC24V
Power	11.52W/17.28W/23.04W
System	
Control	DMX512
Power Supply	DC24V/350W

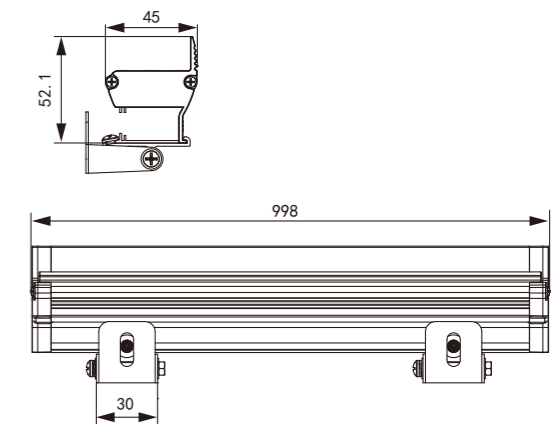


This product adopts aluminum alloy housing structure. It's with small size and delicate appearance. The aluminum housing color can be customized according to the client requirement, it's a very cost-effective lamp. It can be widely applied to lighting project for swimming pool, stairs, bridge guardrail, building etc.

### Product Specifications and Parameters

Control Method	Voltage	Power	Standard Configuration
DMX512 DigiVtal Single Color	36V	27W	27pcs per series
DMX512 DigiVtal Doule Color	36V	36W	36pcs per series
DMX512 DigiVtal RGB	36V	24W	24pcs per series
DMX512 DigiVtal RGBW	36V	27W	27pcs per series

### Product Size(mm)



### Luminosity Distribution

