

YD-CZXT-15

YD Ultra Narrow Aluminum LED Linear Light



Specification	
LED Color	R/G/B/W/BG/RGB/RGBW
Beam Angle	130°
Color Resolution	3×16bit
Outer Shell Material	Aluminum alloy
Size	1000mm×19mm×37mm
Environment	Outdoor
Electrical	
Voltage	DC12V/DC24V
Power	7.68W/8.64W/11.52W/15.36W
System	
Control	Normally on/Serial shift
Power Supply	DC12V/350W、DC24V/350W

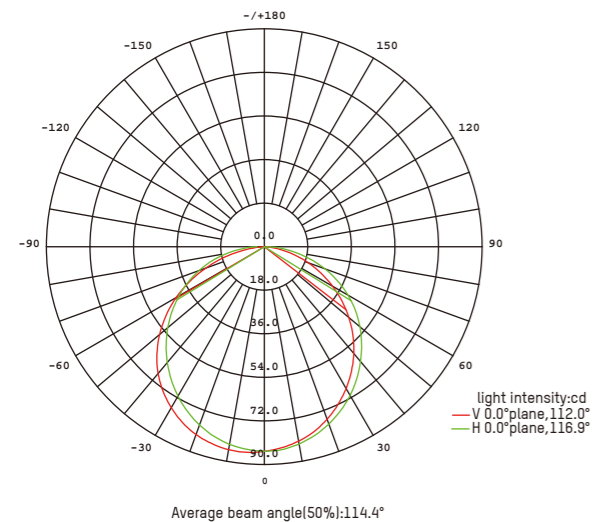


Product Specifications and Parameters

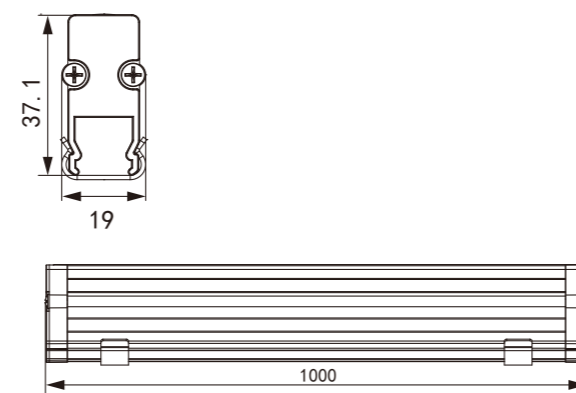
Control Method	Voltage	Power	Standard Configuration
Serial shift Digital	24V	7.68W	4pcs per series
Serial shift DigitalRGB	12V	8.64W	12pcs per series
Serial shift DigitalRGB	12V	8.64W	4pcs per series
Serial shift DigitalRGB	24V	11.52W	8pcs per series
Serial shift DigitalRGBW	24V	15.36W	8pcs per series
Normally on	24V	7.68W	

This light of small size and ultra narrow design, can be installed into narrow space. It is easy to install and wiring with its clamp method and H shape of aluminum shell. As a type of ultra narrow light, the small shape and delicate appearance is especially ideal for day time effect. The lights can be RGB full color, and are applied to large scale curtain wall roller display and concealed color changing lights.

Luminosity Distribution



Product Size(mm)



CZXT-25B

Ultra Narrow Aluminum LED Linear Light



Specification	
LED Color	R/G/B/W/BG/RGB/RGBW
Beam Angle	110°
Color Resolution	3×16bit
Outer Shell Material	Aluminum alloy
Size	980mm×30.6mm×45.7mm
Environment	Outdoor
Electrical	
Voltage	DC24V
Power	7.68W/11.82W/15.36W
System	
Control	DMX512/Normally on
Power Supply	DC24V/350W

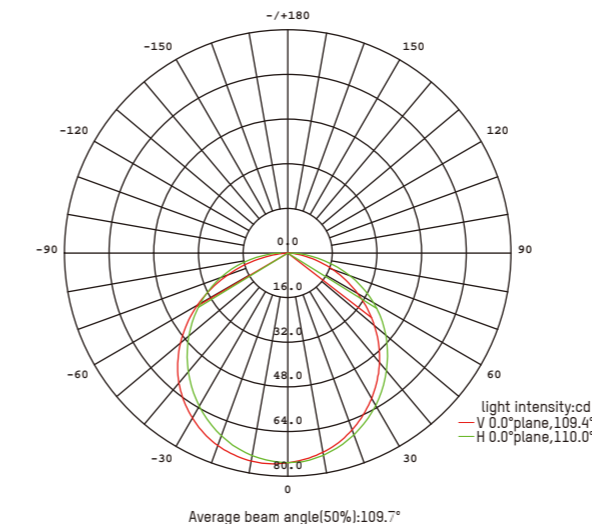


Product Specifications and Parameters

Control Method	Voltage	Power	Standard Configuration
DMX512 DigiVtal Single Color	24V	7.68W	4pcs per series
DMX512 DigiVtal Double Color	24V	7.68W	4pcs per series
DMX512 DigiVtal RGB	24V	11.52W	8pcs per series
DMX512 DigiVtal RGBW	24V	15.36W	8pcs per series
Normally on	24V	7.68W	

This linear light uses XT-25B as the linear source installed into aluminum wire groove. The length of aluminum wire groove can be customized according to customer's requirement. The aluminum wire groove can be wiring groove and light body, the light body and wire groove combines well, hardly impact the daytime effect of the building. It can be directly showed as single color (normally on), also controlled by offline machine (with SD card) to show RGB full color.

Luminosity Distribution



Product Size(mm)

